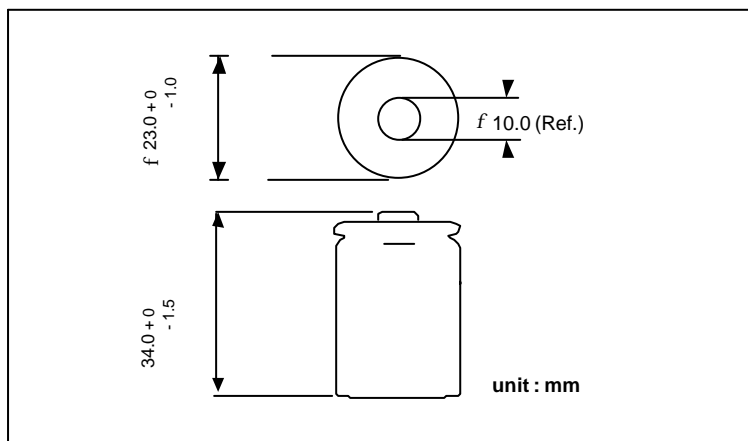


GP Batteries

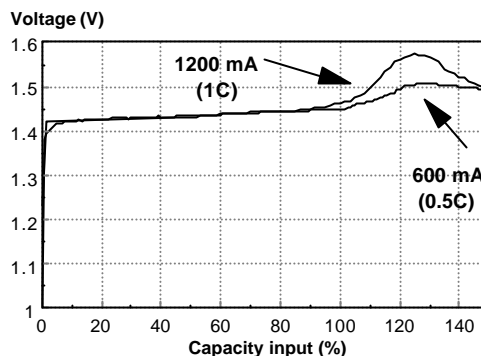
Data Sheet

Model No.: 120SCK

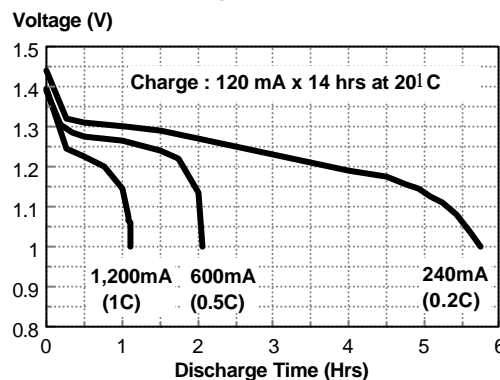
Type	: Rechargeable Nickel Cadmium Cylindrical Cell
Nominal Dimension (with Sleeve)	: $\varnothing = 23.0\text{mm}$ $H = 34.0\text{mm}$
Application	: Discharge current 120mA to 29A (Continuous) 58A (Momentary)
Nominal Voltage	: 1.2V
Nominal Capacity	: Minimum : 1200mAh Typical : 1320mAh when discharged at 240mA to 1.0V at 20°C
Charging Condition	: 120mA for 14 hrs at 20°C
Fast Charge	: 600mA to 1200mA (0.5C to 1C) with charge termination control. Recommended control parameter : - ΔV : 0-5mV dT/dt : 0.8°C/min (0.5C to 0.9C) 0.8-1°C/min (1C) TCO : 45-50°C Timer : 120% nominal input
Service Life	: > 500 cycles (IEC standard)
Continuous Overcharge	: 120mA maximum current No conspicuous deformation and/or leakage
Weight	: 42.0g
Internal Resistance	: Average 8m Ω upon fully charged (Range : 7-10m Ω) at 1000Hz
Max. Charging Voltage	: 1.5V at 120mA charging
Ambient Temperature Range	: Standard Charging : 0°C to 40°C Fast Charging : 10°C to 40°C Discharging : -20°C to 50°C Storage : -20°C to 35°C Storage (1 week) : -20°C to 60°C



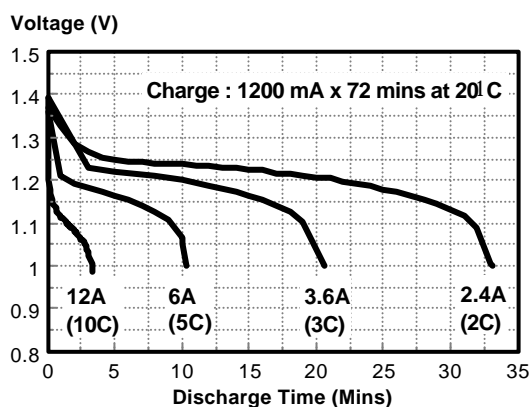
Fast Charge (Charge Control required)



Low Rate Discharge



High Rate Discharge



* The information (subject to change without prior notice) contained in this document is for reference only and should not be used as a basis for product guarantee or warranty. For application other than those described here, please consult GP Sales and Marketing Office or Distributors.