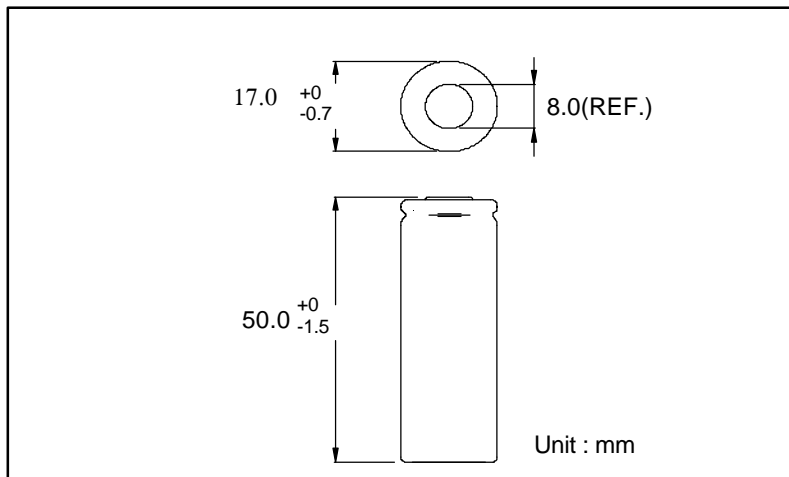


# GP Batteries

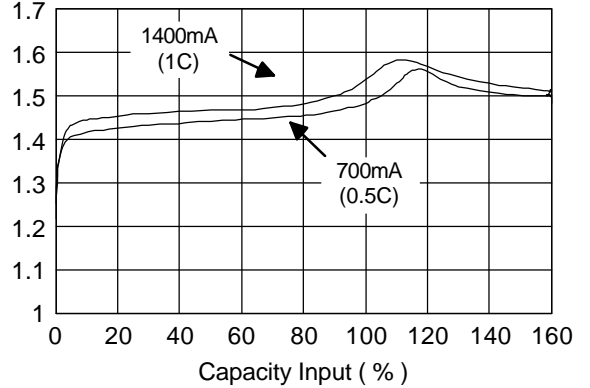
## Data Sheet

Model No.: GP140AFK

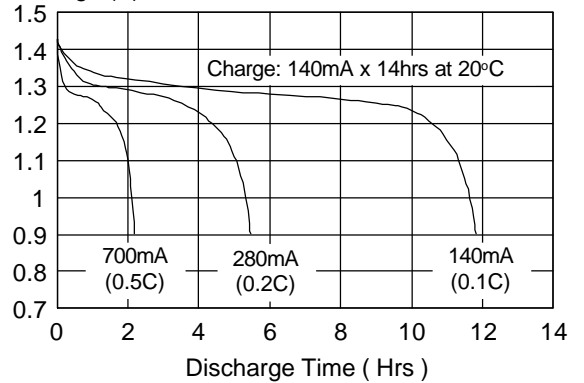
Type	Rechargeable Nickel Cadmium Cylindrical Cell	
Nominal Dimension (with Sleeve)	Φ =17.0mm H =50.0mm	
Applications	Recommended discharge current 140 to 4200mA	
Nominal Voltage	1.2V	
Nominal Capacity	1400mAh when discharge at 280mA to 1.0V at 20°C	
Charging Condition	140mA for 14 hrs at 20°C	
Fast Charge	700mA to 1400mA (0.5 to 1C) with charge termination control Recommended control parameters: -ΔV : 10 - 20mV Timer : 120% nominal input	
Service Life	>500 cycles (IEC standard)	
Continuous Overcharge	140mA maximum current for 1 year No conspicuous deformation and/or leakage	
Weight	32.5 g	
Internal Resistance	Average 30mΩ upon fully charged (Range 24-32mΩ) at 1000Hz	
Max. Charging Voltage	1.5V at 140mA charging	
Ambient Temperature Range	Standard Charging	0 to 45°C
	Fast Charging	10 to 45°C
	Discharging	-20 to 50°C
	Storage	-20 to 35°C
	Storage (1week)	-20 to 60°C



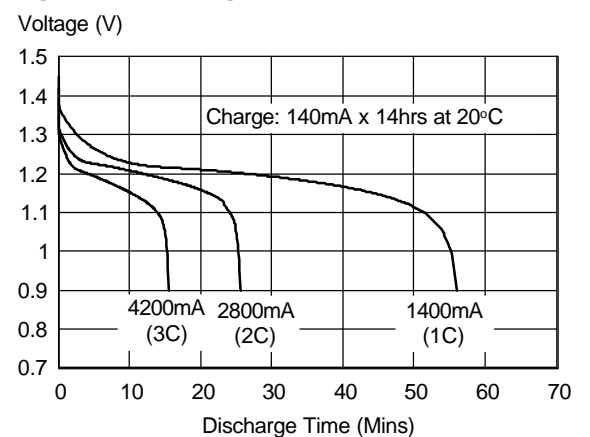
**Fast Charge (Charge control)**  
Voltage (V)



**Low Rate Discharge**  
Voltage (V)



**High Rate Discharge**  
Voltage (V)



\* The information (subject to change without prior notice) contained in this document is for reference only and should not be used as a basis for product guarantee or warranty. For applications other than those described here, please consult your nearest GP Sales and Marketing Office or Distributors.