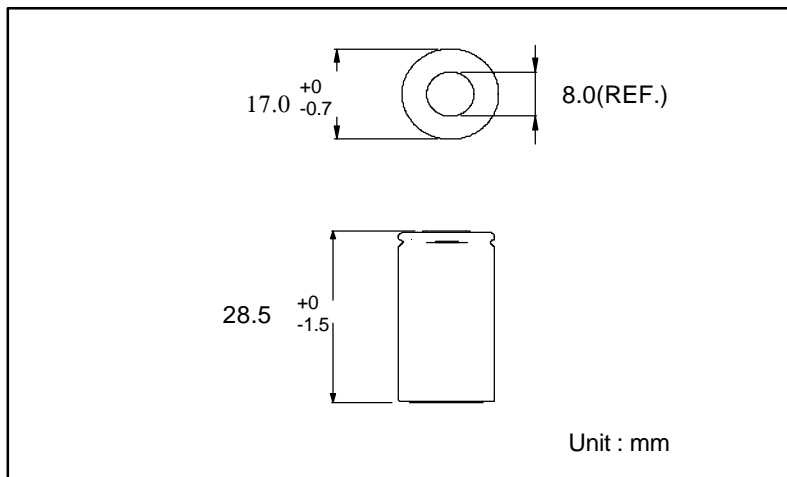


# GP Batteries

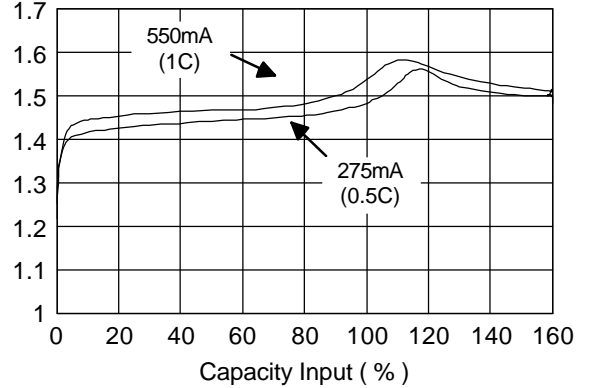
## Data Sheet

Model No.: GP55AFK

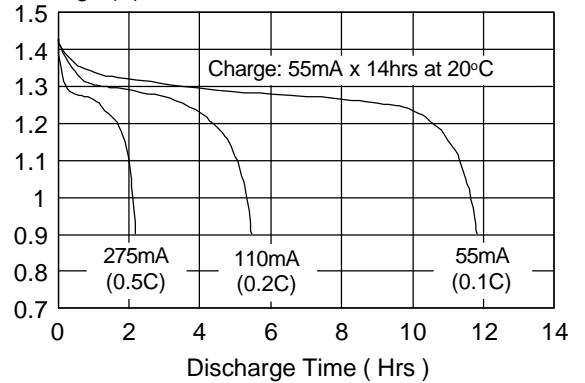
|                                    |  |               |
|------------------------------------|--|---------------|
| Type                               | : Rechargeable Nickel Cadmium<br>Cylindrical Cell  |               |
| Nominal Dimension<br>(with Sleeve) | : $\Phi = 17.0\text{mm}$<br>$H = 28.5\text{mm}$  |               |
| Applications                       | : Recommended discharge current<br>55 to 1650mA  |               |
| Nominal Voltage                    | : 1.2V   |               |
| Nominal Capacity                   | : 550mAh when discharge at<br>110mA to 1.0V at 20°C  |               |
| Charging Condition                 | : 55mA for 14 hrs at 20°C  |               |
| Fast Charge                        | : 275mA to 550mA (0.5 to 1C)<br>with charge termination control<br>Recommended control parameters:<br>- $\Delta V$ : 10 - 20mV<br>Timer : 120% nominal input |               |
| Service Life                       | : >500 cycles (IEC standard)   |               |
| Continuous Overcharge              | : 55mA maximum current for 1 year<br>No conspicuous deformation<br>and/or leakage  |               |
| Weight                             | : 13.9g  |               |
| Internal Resistance                | : Average 40m $\Omega$ upon fully charged<br>(Range 30-60m $\Omega$ ) at 1000Hz  |               |
| Max. Charging Voltage              | : 1.5V at 55mA charging  |               |
| Ambient Temperature Range          | Standard Charging  | : 0 to 45°C   |
|                                    | Fast Charging  | : 10 to 45°C  |
|                                    | Discharging  | : -20 to 50°C |
|                                    | Storage  | : -20 to 35°C |



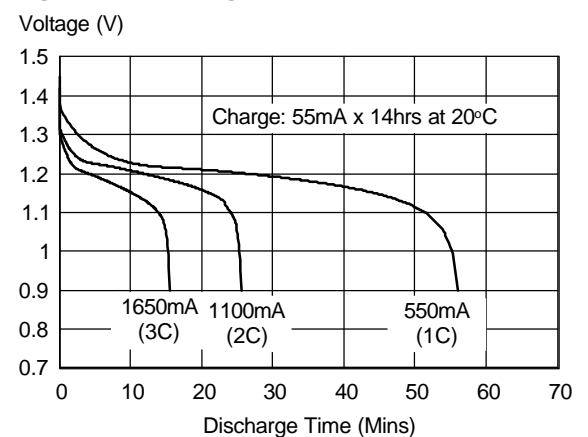
**Fast Charge (Charge control)**  
Voltage (V)



**Low Rate Discharge**  
Voltage (V)



**High Rate Discharge**  
Voltage (V)



\* The information (subject to change without prior notice) contained in this document is for reference only and should not be used as a basis for product guarantee or warranty. For applications other than those described here, please consult your nearest GP Sales and Marketing Office or Distributors.