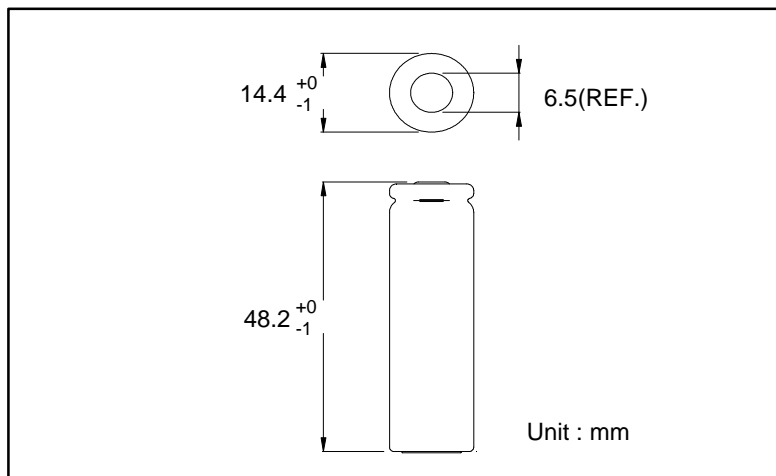


GP Batteries

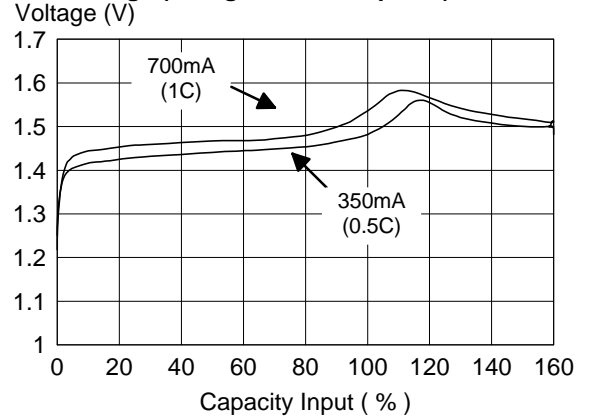
Data Sheet

Model No.: GP70AAS

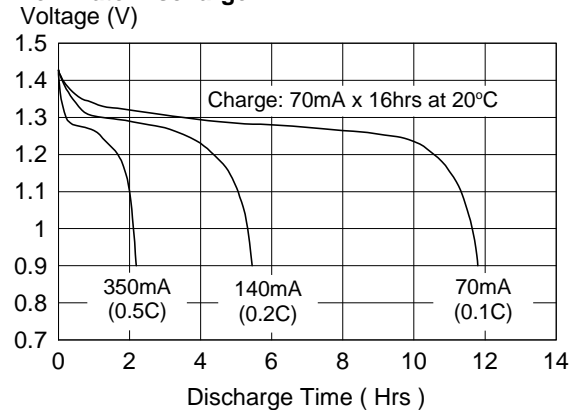
| | | |
|------------------------------------|--|---------------|
| Type | : Rechargeable Nickel Cadmium Cylindrical Cell | |
| Nominal Dimension (with Sleeve) | : $\Phi = 14.4\text{mm}$ H = 48.2mm | |
| Applications | : Recommended discharge current 35 to 2100mA | |
| Nominal Voltage | : 1.2V | |
| Capacity | : Minimum: 700mAh Typical: 770mAh when discharged at 140mA to 1.0V at 20°C | |
| Charging Condition | : 70mA for 16 hrs at 20°C | |
| Fast Charge | : 350mA to 700mA (0.5 to 1C) with charge termination control Recommended control parameters: - ΔV : 10 - 20mV Timer : 120% nominal input | |
| Service Life | : >500 cycles (IEC standard) | |
| Continuous Overcharge | : 70mA maximum current for 1 year No conspicuous deformation and/or leakage | |
| Weight | : 21.0g | |
| Internal Resistance | : Average 34m Ω upon fully charged (Range 25-40m Ω) at 1000Hz | |
| Max. Charging Voltage | : 1.5V at 70mA charging | |
| Ambient Temperature Range | Standard Charging | : 0 to 45°C |
| | Fast Charging | : 10 to 45°C |
| | Discharging | : -20 to 50°C |
| | Storage | : -20 to 35°C |



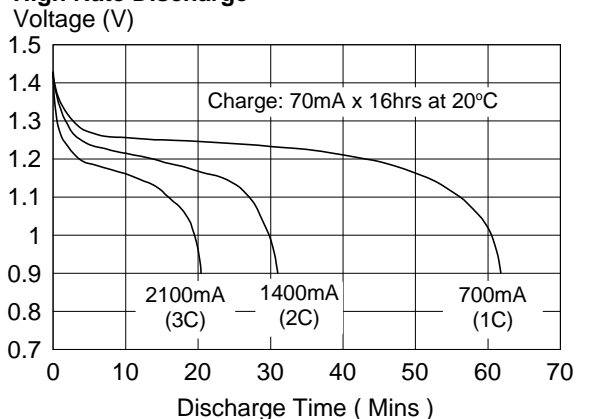
Fast Charge (Charge control required)



Low Rate Discharge



High Rate Discharge



* The information (subject to change without prior notice) contained in this document is for reference only and should not be used as a basis for product guarantee or warranty. For applications other than those described here, please consult your nearest GP Sales and Marketing Office or Distributors.