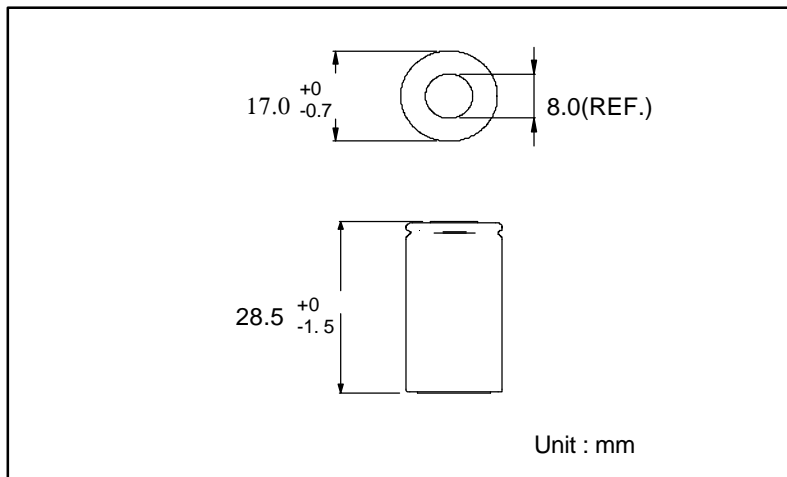


GP Batteries

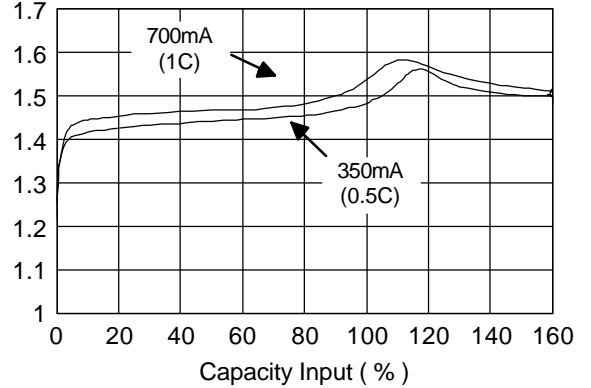
Data Sheet

Model No.: GP70AFK

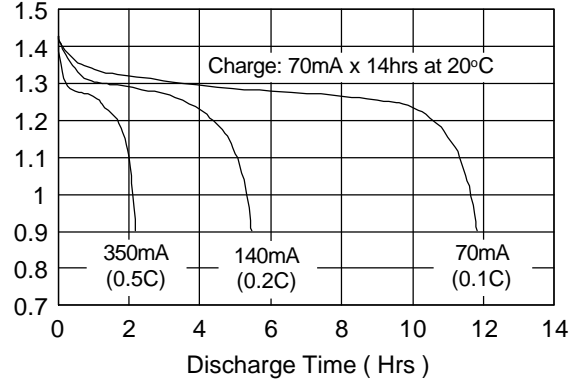
Type	: Rechargeable Nickel Cadmium Cylindrical Cell	
Nominal Dimension (with Sleeve)	: $\Phi = 17.0\text{mm}$ H = 28.5mm	
Applications	: Recommended discharge current 70 to 2100mA	
Nominal Voltage	: 1.2V	
Nominal Capacity	: 700mAh when discharge at 140mA to 1.0V at 20°C	
Charging Condition	: 70mA for 14 hrs at 20°C	
Fast Charge	: 350mA to 700mA (0.5 to 1C) with charge termination control Recommended control parameters: - ΔV : 10 - 20mV Timer : 120% nominal input	
Service Life	: >500 cycles (IEC standard)	
Continuous Overcharge	: 70mA maximum current for 1 year No conspicuous deformation and/or leakage	
Weight	: 16.0g	
Internal Resistance	: Average 24m Ω upon fully charged (Range 17 - 31m Ω) at 1000Hz	
Max. Charging Voltage	: 1.5V at 70mA charging	
Ambient Temperature Range	Standard Charging	: 0 to 45°C
	Fast Charging	: 10 to 45°C
	Discharging	: -20 to 50°C
	Storage	: -20 to 35°C



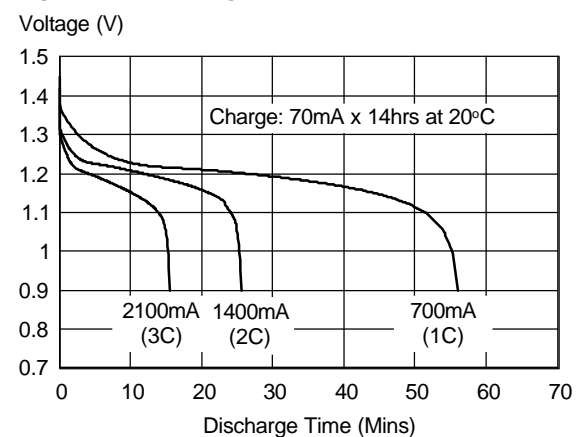
Fast Charge (Charge control)
Voltage (V)



Low Rate Discharge
Voltage (V)



High Rate Discharge
Voltage (V)



* The information (subject to change without prior notice) contained in this document is for reference only and should not be used as a basis for product guarantee or warranty. For applications other than those described here, please consult your nearest GP Sales and Marketing Office or Distributors.